

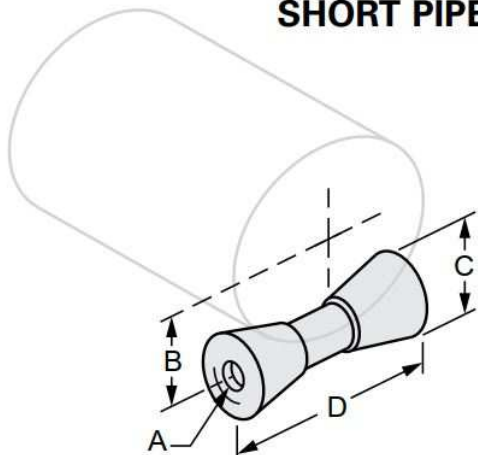


G-STRUT 4100 13th Street SW, Canton OH 44710

Phone: 866.997.8788 – Fax: 330.477.0626

www.gregorystrut.com

SHORT PIPE ROLLER – SERIES W601



- Size Range:** 2" through 42" pipe size.
- Material:** Cast Iron.
- Finish:** Plain.
- Ordering:** Specify rod size; pipe size; finish and series #.
- Function:** Designed for supporting pipe in applications where horizontal movement may occur due to expansion and contraction, will occur.
- Available In:** Electro-Galvanized.

All above pipe rollers are plain steel.
To order other finishes, change the 5th character in the Part # as seen below:
ELECTRO-GALVANIZED = 2
Example: **W610.4'20** = ELECTRO-GALV
2

PART #	PIPE SIZE	SIZE (A)	SIZE (B)	SIZE (C)	SIZE (D)	MAXIMUM RECOMMENDED LOAD(lbs.)	LBS./100pcs
W610120	2"	9/16"	1-13/16"	1-15/16"	2-3/4"	390	135
W610124	2-1/2"	9/16"	2-1/8"	1-15/16"	2-3/4"	390	175
W610130	3"	9/16"	2-7/16"	1-15/16"	2-3/4"	390	200
W610134	3-1/2"	9/16"	2-11/16"	1-15/16"	2-3/4"	390	260
W610140	4"	9/16"	3"	2-1/4"	3-3/4"	950	300
W610150	5"	9/16"	3-9/16"	2-1/4"	3-3/4"	950	512
W610160	6"	9/16"	4-1/8"	2-1/4"	3-3/4"	950	650
W610180	8"	13/16"	5-1/4"	3-3/16"	6"	2100	1200
W6101100	10"	13/16"	6-3/8"	3-3/16"	6"	2100	1715
W6101120	12"	1"	7-1/2"	4"	8"	3075	2750
W6101140	14"	1"	8-3/16"	4"	8"	3075	3600
W6101160	16"	1-1/4"	9-5/16"	4-1/2"	9"	4980	4945
W6101180	18"	1-1/4"	10-3/8"	4-1/2"	9"	4980	5535
W6101200	20"	1-1/4"	11-7/16"	4-1/2"	9"	4980	6335
W6101240	24"	1-1/2"	13-7/16"	4-3/8"	10"	6100	3600
W6101300	30"	1-7/8"	16-9/16"	5-3/16"	12-1/4"	7500	4945
W6101360	36"	2-1/8"	19-11/16"	6"	14"	12000	5535
W6101420	42"	2-1/8"	22-3/4"	6"	14"	12000	6335

PROJECT INFORMATION	APPROVAL STAMP
Project:	Notes:
Address:	
Contractor:	
Engineer:	
Date:	
Approved <input type="checkbox"/> Approved as Noted <input type="checkbox"/> Not Approved <input type="checkbox"/>	